

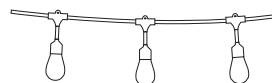
INSTALLATION MANUAL

0996

LED
BUILT IN



50cm spacing.



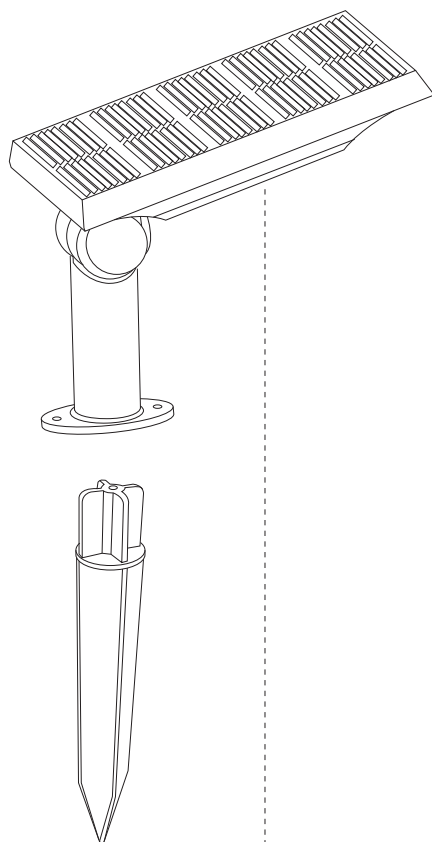
one
LIGHT

1W | 12xLEDs | IP67 | Solar powered

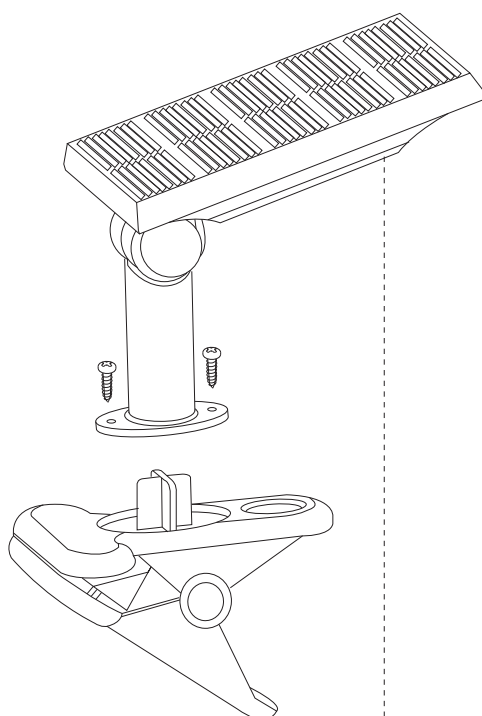
1x2000mAh lithium battery.

850cm

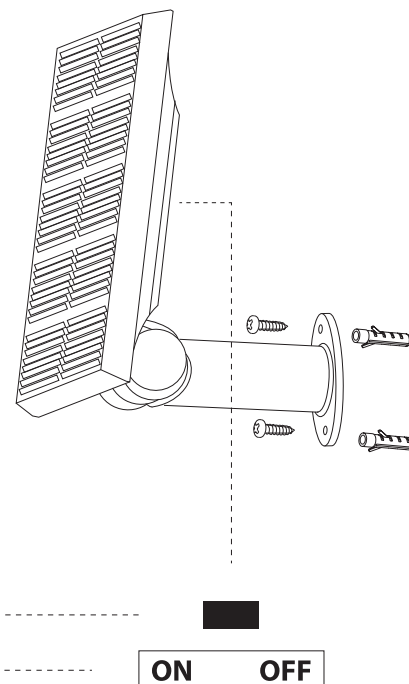
A GROUND INSTALLATION



B CLIP ON INSTALLATION



C WALL INSTALLATION



INSTALLATION:

1. Turn ON switch button at the back of the solar panel to "On" setting. Afterwards, to make sure the lights are working, cover the solar panel. The solar panel detects darkness and turns the lights on automatically. After you turn them on the first time, you shouldn't need to press the switch again.
2. Place the solar panel in a location such that it can receive maximum sunlight. Facing the panel south will ensure optimal performance.
3. The string lights come with a slight charge in the battery so you can test that it works. However, you need to charge the solar panel for at least 8 hours before the first full-fledged nighttime use.
4. Make sure that each bulb is screwed in and secure.

SOLAR PANEL:

1. The solar panel has a photocell so that the lights will turn on automatically in the dark. (This assumes you pressed the button first.)
2. Locate the solar panel away from light sources that may impede the photocell e.g. away from a porch lamp or street lamp.
3. The light string can stay lit around 6hours after 1 day of charge.
4. After the first 8 hour charge, allow a minimum 6 hours per day of sun light for the battery to recharge.
5. Keep snow and debris off the solar panel, in order for the battery to recharge efficiently.