

INSTALLATION MANUAL

10103E

ecolight



DARK LIGHT



90 CRI



350mA | COB LED | 3W | IP20 | Aluminium
Requires 350mA driver.



50mm



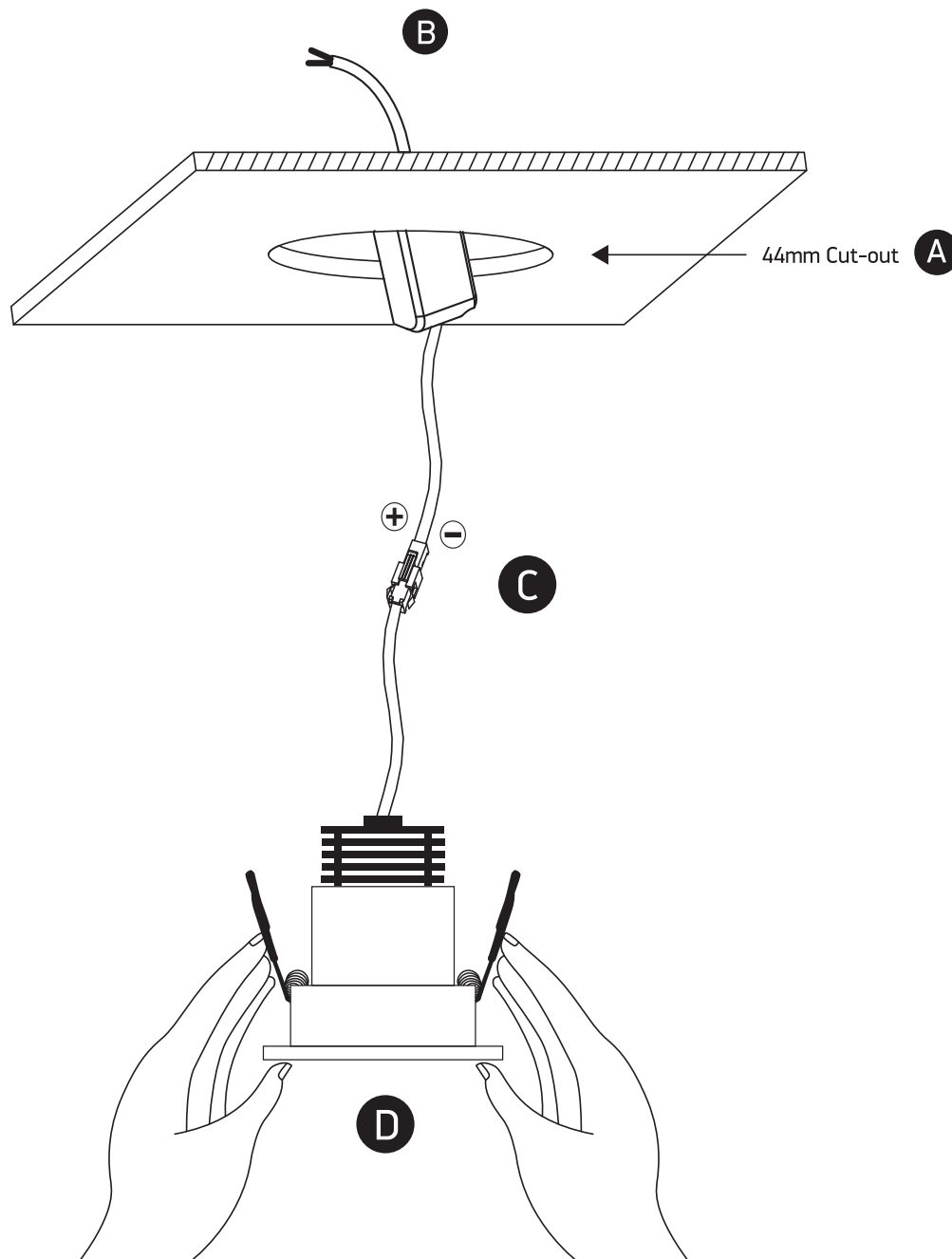
52mm



60mm



one
LIGHT



Warnings:

1. Make sure that the product is installed properly before connecting to electricity.
2. Do not cover the fitting.
3. Maintenance and installation should only be carried out by a professional electrician.