

INSTALLATION MANUAL

10109D

LED
BUILT IN



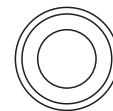
DARK
LIGHT

CE EAC UK
CA

RoHS
COMPLIANT

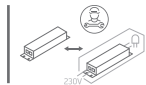


NOT
DAMMABLE



120mm

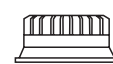
230V | SMD 2835 | 9W | IP20 | Die cast
Complete with 300mA driver.



90
CRI



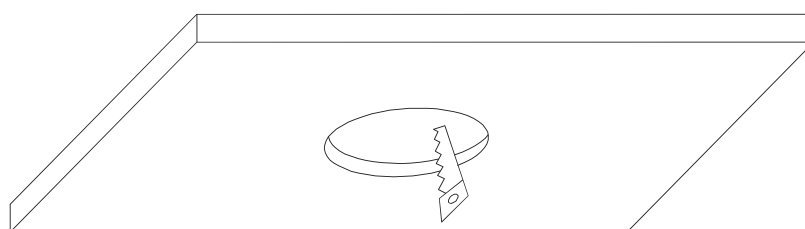
110mm
70mm



50mm

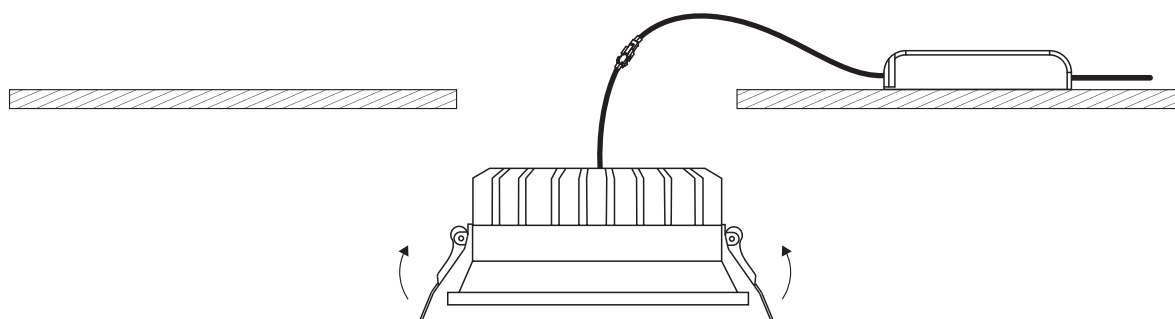
one
LIGHT

A

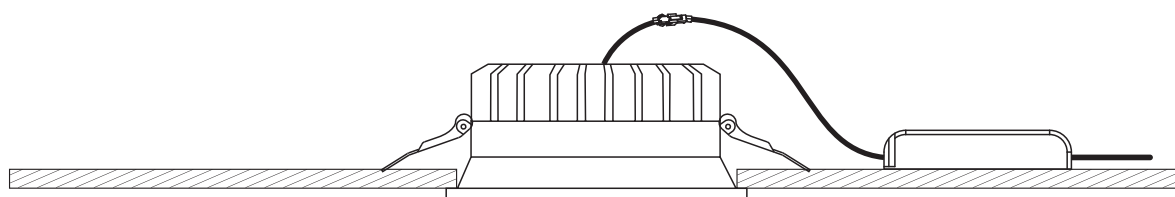


CUTOUT HOLE: 110mm

B



C



Warnings:

1. Make sure that the product is installed properly before connecting to electricity.
2. Do not cover the fitting.
3. Maintenance and installation should only be carried out by a professional electrician.