

# INSTALLATION MANUAL

11126F

**ecolight**



125mm

700mA | 26W | IP20 | Die cast | Adjustable  
Requires 700mA driver.

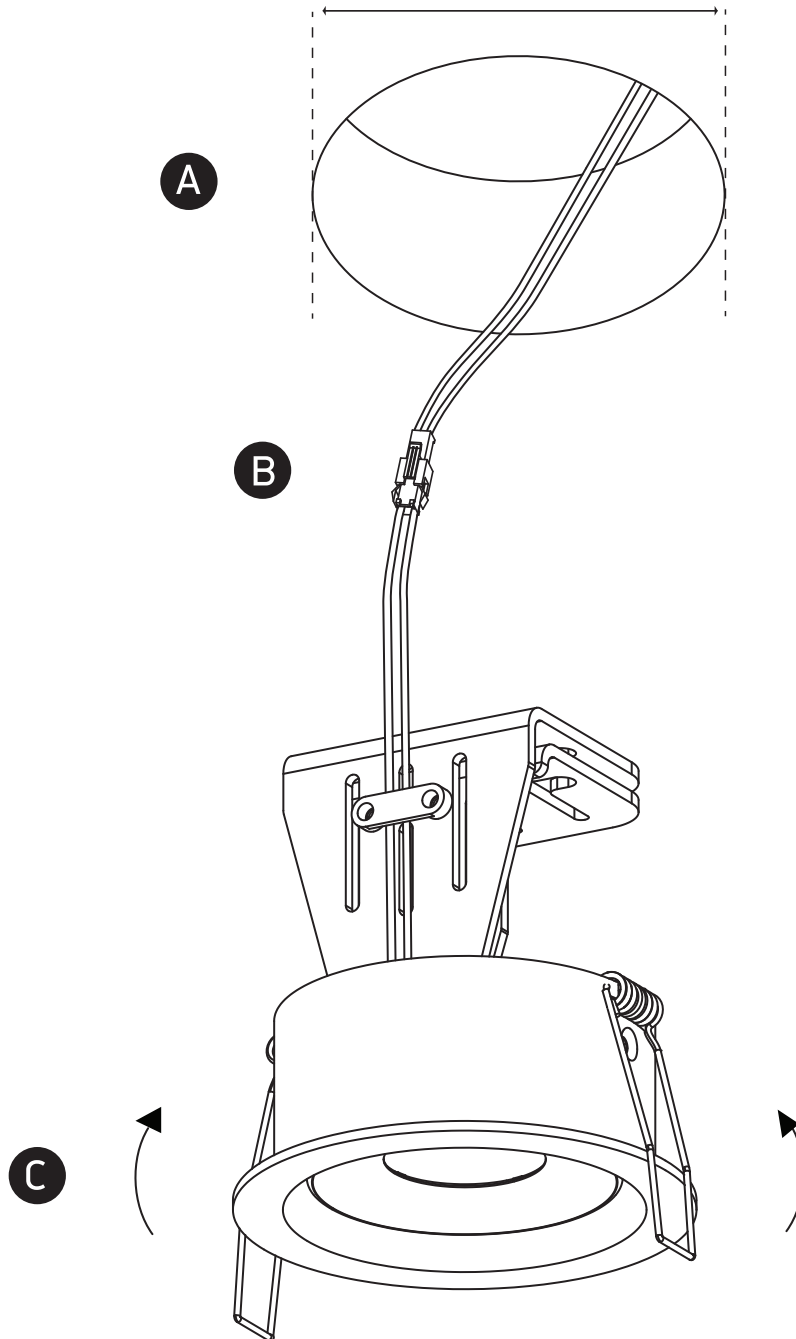
92  
CRI



126mm

**one**  
LIGHT

CUTOUT HOLE: 116mm



## Warnings:

1. Make sure that the product is installed properly before connecting to electricity.
2. Do not cover the fitting.
3. Maintenance and installation should only be carried out by a professional electrician.