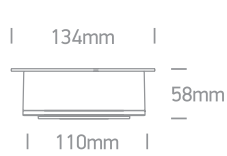


INSTALLATION MANUAL

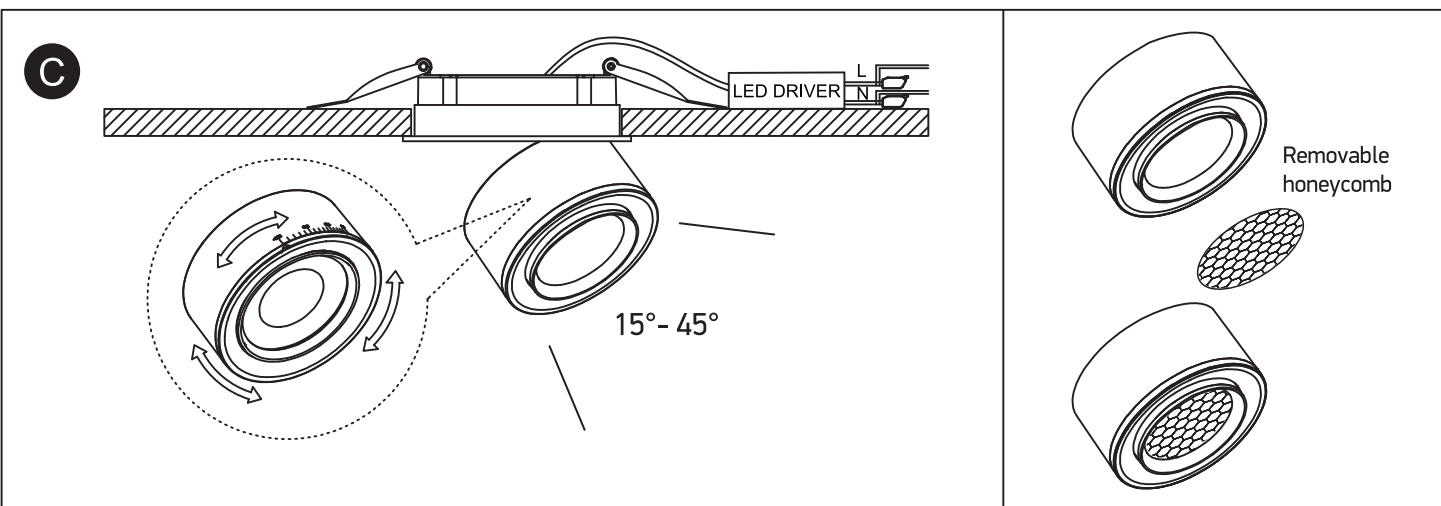
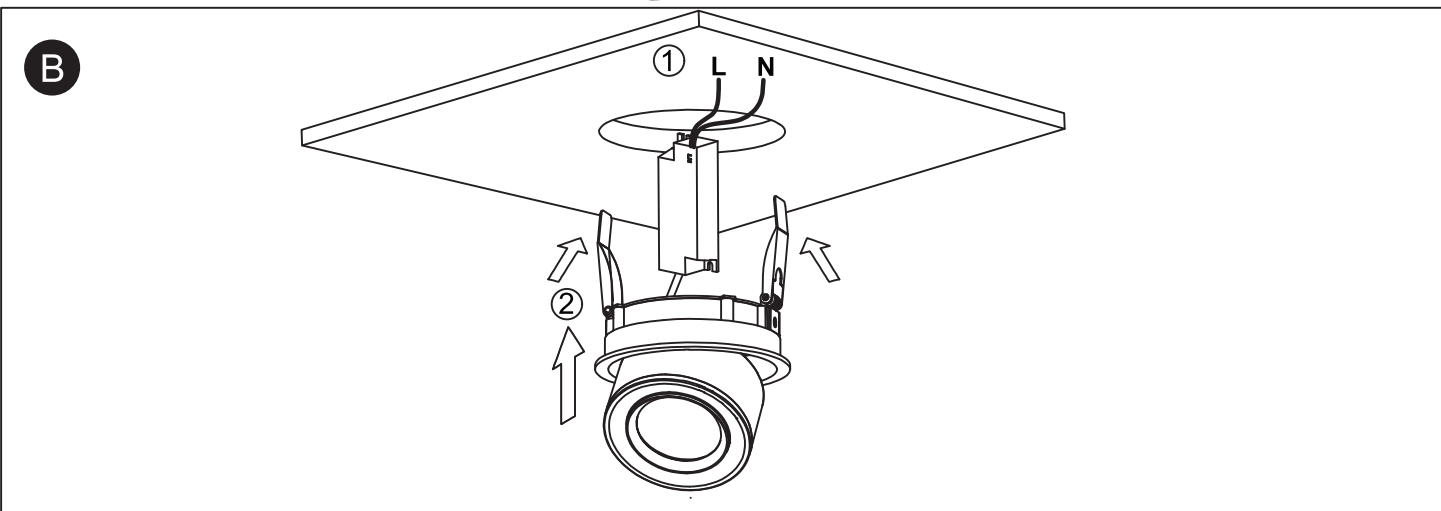
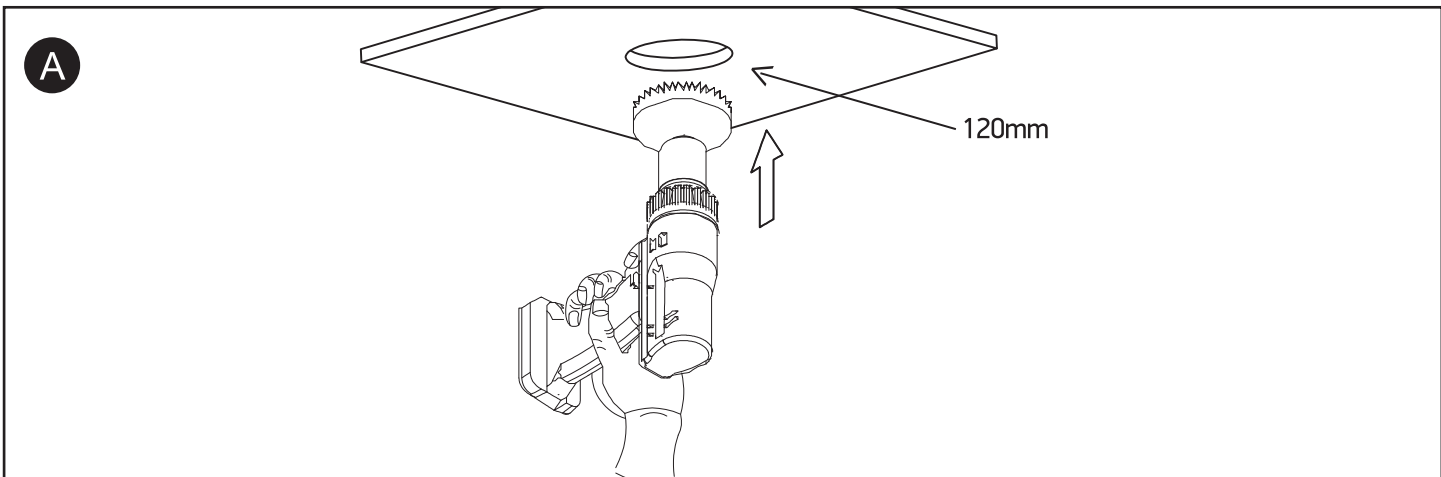
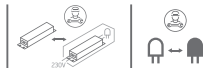
11128G



90 CRI



230V | COB LED | 25W | IP20 | Adjustable beam | Aluminium
Complete with 600mA driver.



Warnings:

1. Make sure that the product is installed properly before connecting to electricity.
2. Do not cover the fitting.
3. Maintenance and installation should only be carried out by a professional electrician.