

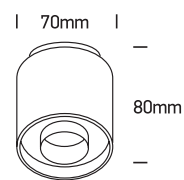
INSTALLATION MANUAL

12108DB

ecolight



DARK LIGHT

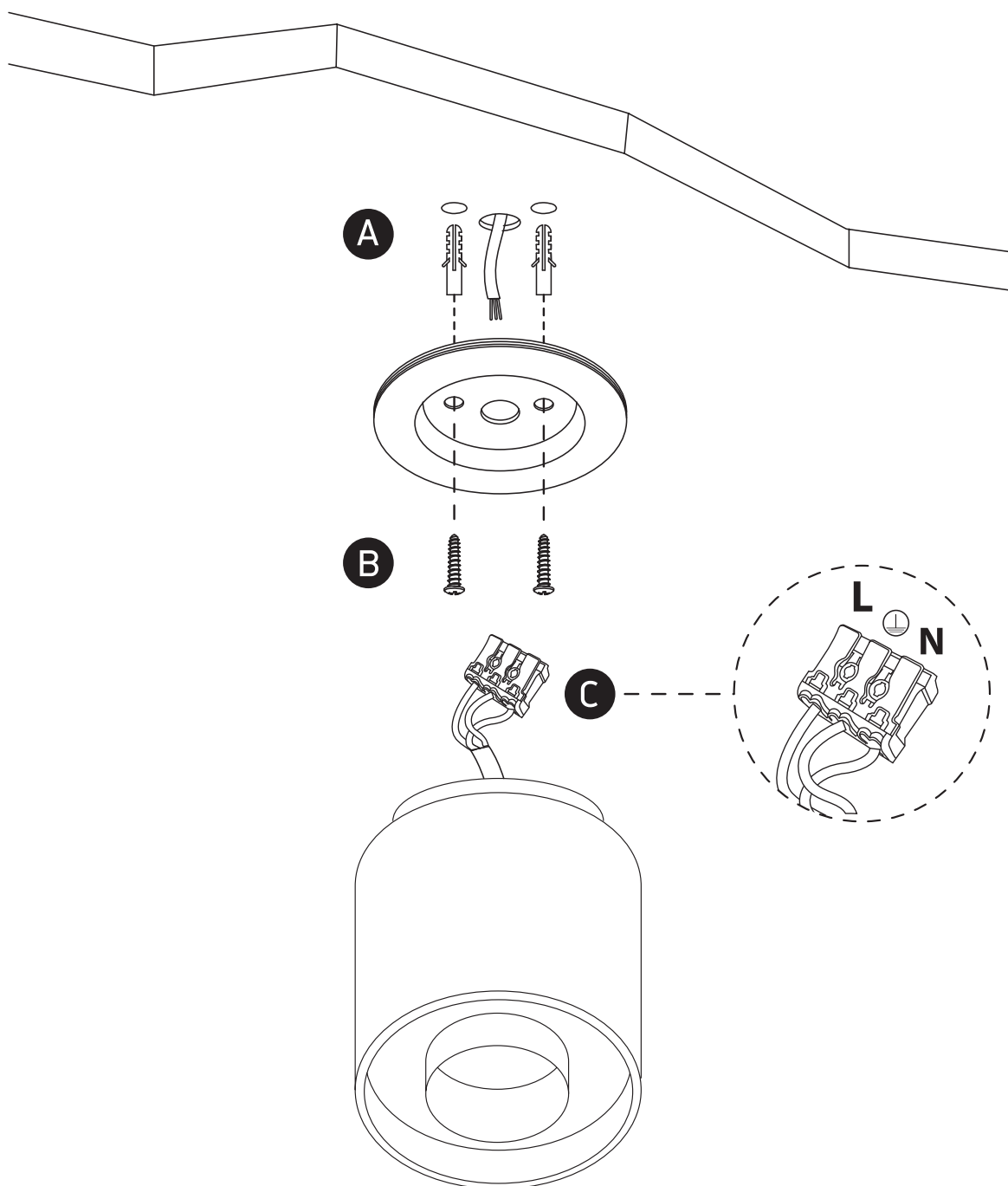


230V | LED | 8W | IP20 | Aluminium

Complete with 700mA driver.

90 CRI

one
LIGHT



Warnings:

1. Make sure that the product is installed properly before connecting to electricity.
2. Do not cover the fitting.
3. Maintenance and installation should only be carried out by a professional electrician.