

# INSTALLATION MANUAL

38140AU

**ecolight**



90  
CRI

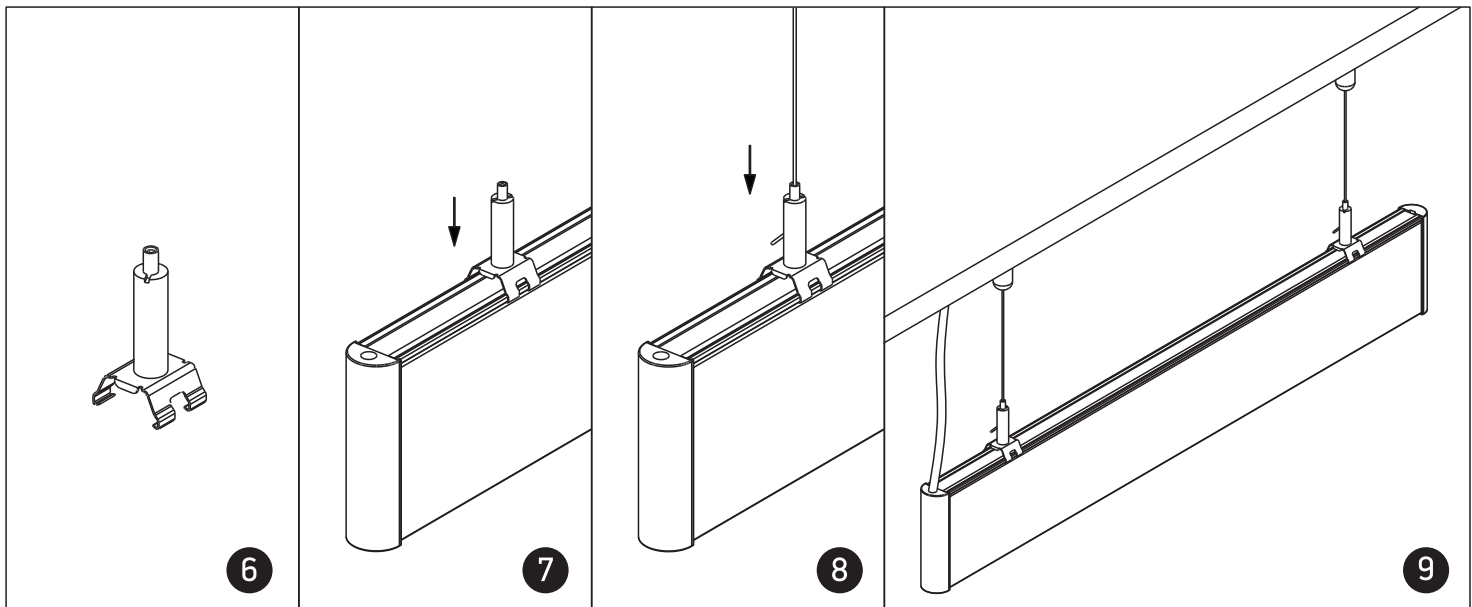
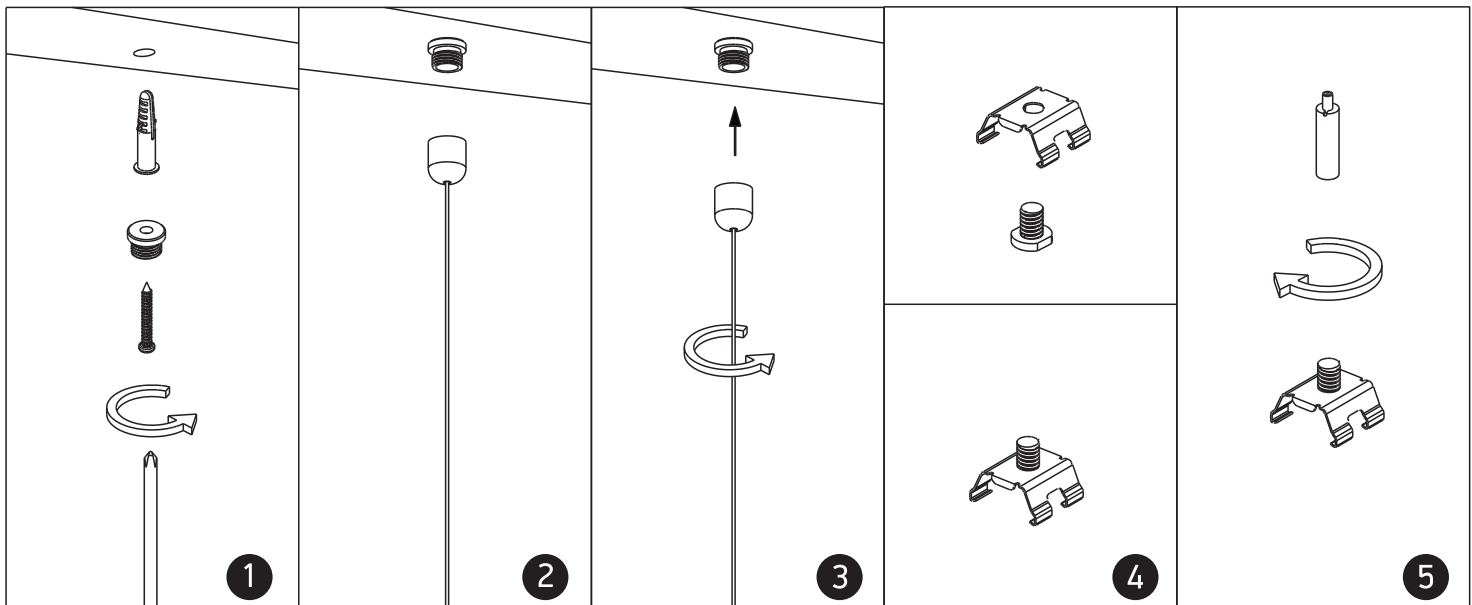
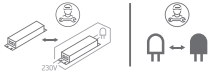


40W Downlight + Uplight | SMD 2835 | 230V | IP20 | Aluminium

Complete with 900mA driver



**one**  
LIGHT



## Warnings:

1. Make sure that the product is installed properly before connecting to electricity.
2. Do not cover the fitting.
3. Maintenance and installation should only be carried out by a professional electrician.