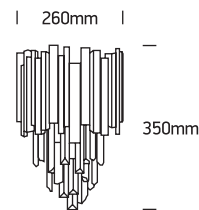


INSTALLATION MANUAL

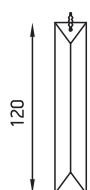
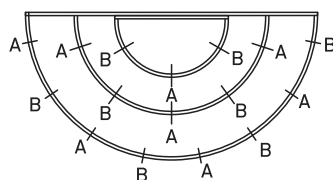
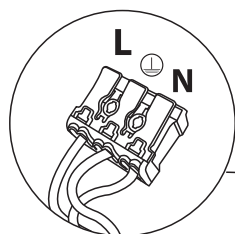
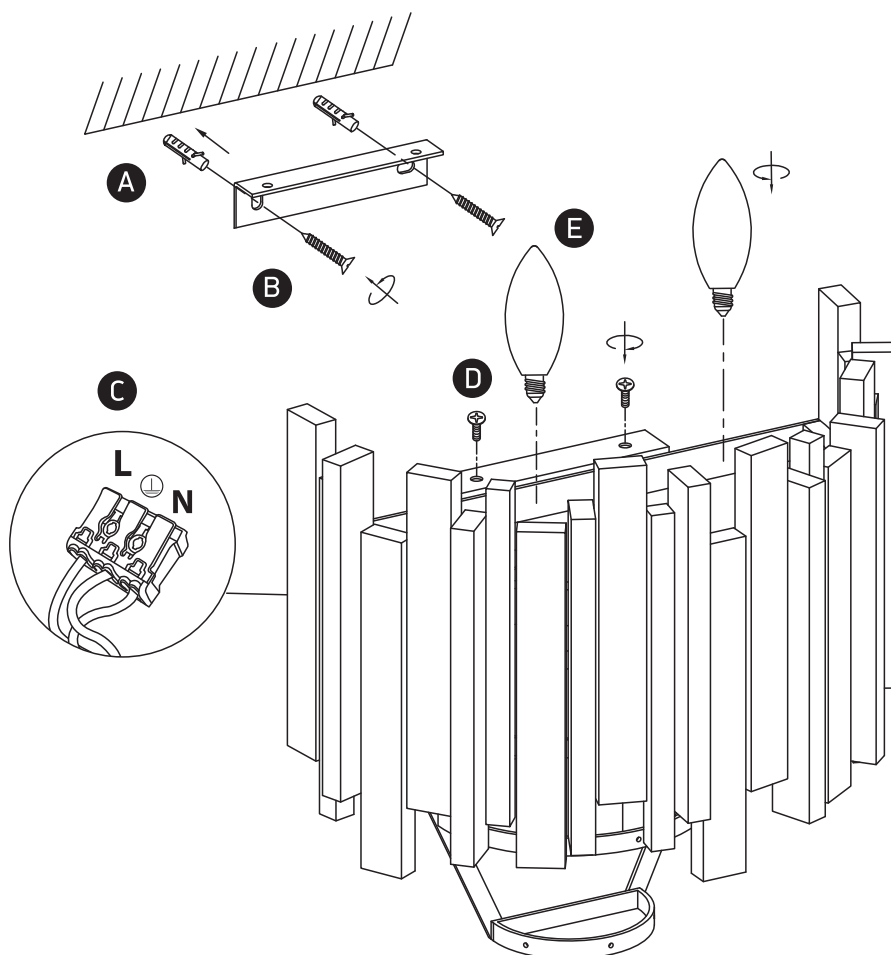
60132



100-240V | E14 | 2x8W | IP20 | Aluminium + glass



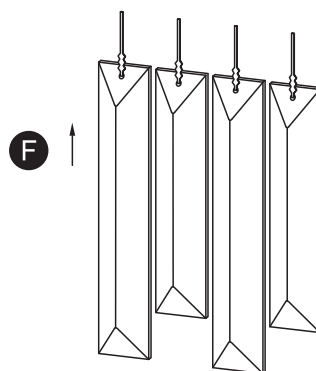
one
LIGHT



A
8pcs



B
8pcs



Warnings:

1. Make sure that the product is installed properly before connecting to electricity.
2. Do not cover the fitting.
3. Maintenance and installation should only be carried out by a professional electrician.