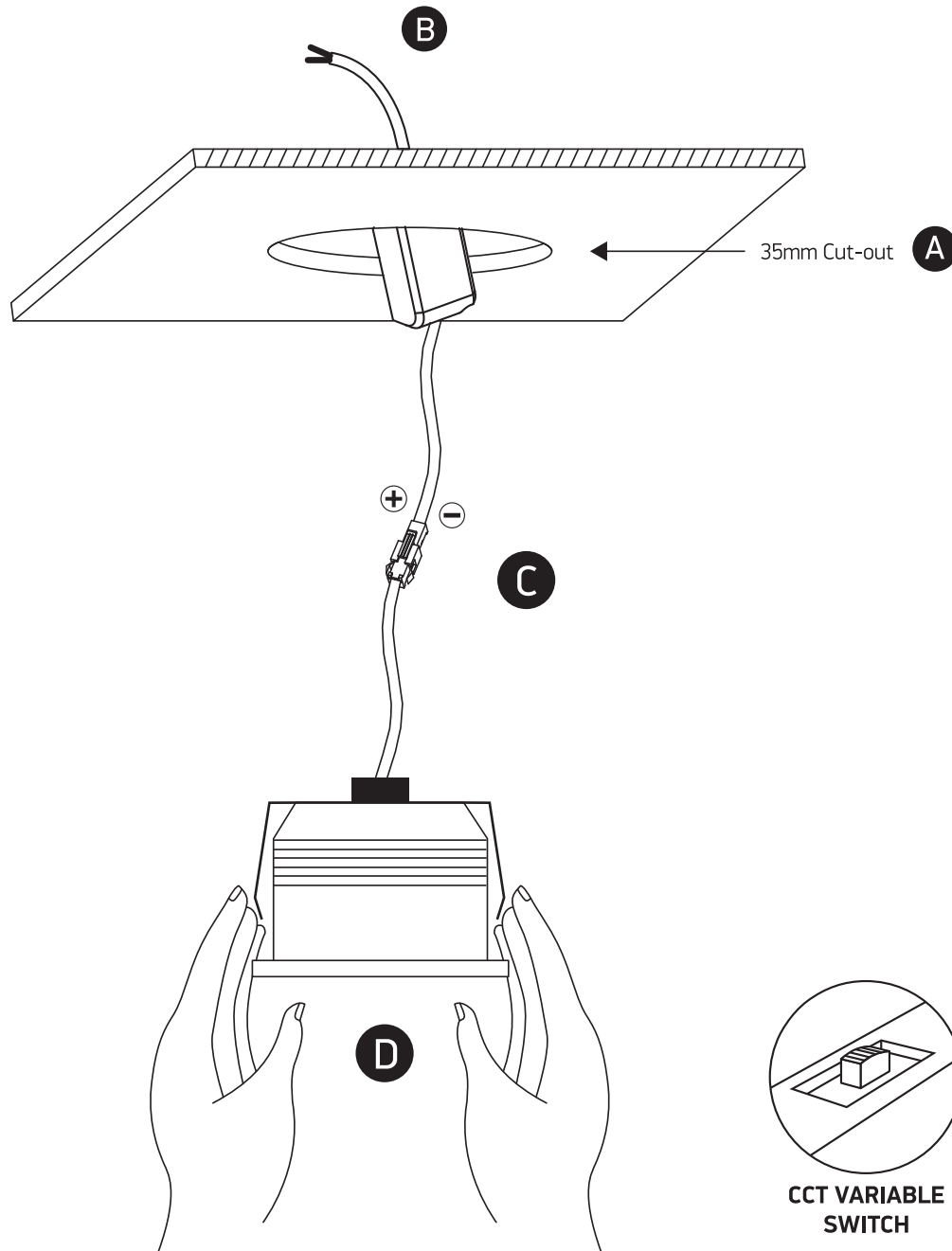


# INSTALLATION MANUAL

10103B/..V



350mA | COB | CCT V | 3W | IP20 | Aluminium  
Requires 350mA driver.



## Warnings:

1. Make sure that the product is installed properly before connecting to electricity.
2. Do not cover the fitting.
3. Maintenance and installation should only be carried out by a professional electrician.